

Dramatically increase your accessory sales.



The POD Series 1060 hidden cord solution offers significant advantages in consumer experience, performance, display design and ease of use. InVue's exclusive Easy Pull™ recoiler is the industry's lowest force recoiler providing customers a smooth, consistent pull and flexible movement

while interacting with the merchandise. The Series 1060 has a powered auxiliary alarming port making it the ideal solution for co-merchandise displays that incorporate high-value accessories, driving increased sales.



FEATURES AND BENEFITS

- › Above-counter POD for easy installation with no visible cords
- › Onboard powered auxiliary alarm port allows protected display of electronic accessories
- › Alarm on both the sensor and stand provides superior protection
- › Recoiler is smooth, quiet, and easy to pull
- › Small sensor size provides minimal interference
- › Integrated lockdown feature for added security when needed
- › Supports 5V, 3A USB Type C power
- › 100 dB alarm is loud enough to be heard in noisy environments
- › Optional brackets are fully adjustable and do not interfere with customer experience
- › Storewide single key solution



Available from:

**American Theft Prevention
Products, Inc.**

you can do something about shoplifting!

847-972-6540 • 866-416-0999

info@AmTheft.com

www.AmericanTheftPrevention.com

INVUE



IR ECOSYSTEM™

Series 1060 is part of the exclusive InVue IR Ecosystem™, a storewide single key solution that improves customer service, increases sales and provides high theft protection.



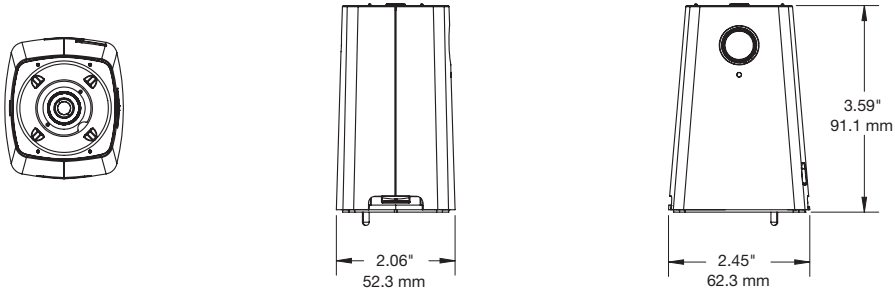
- Handheld Electronics
- Electronic Accessories
- Secure Fixtures
- Package Protection
- Locked Cabinets
- Commercial Solutions



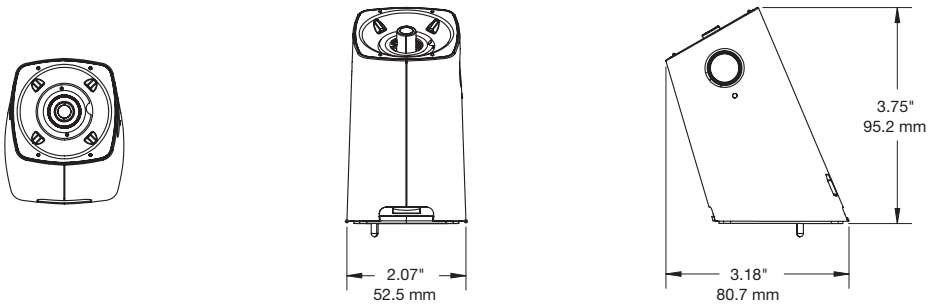
Series 1060

SPECIFICATIONS

Series 1060 Flat Stand (DRD100-W):



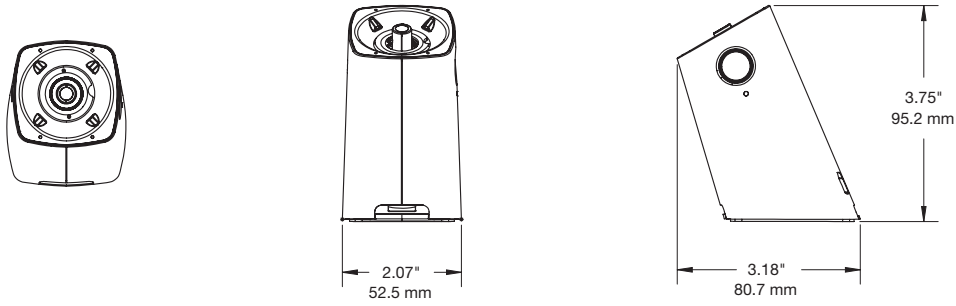
Series 1060 Angled Stand (DRD101-W):



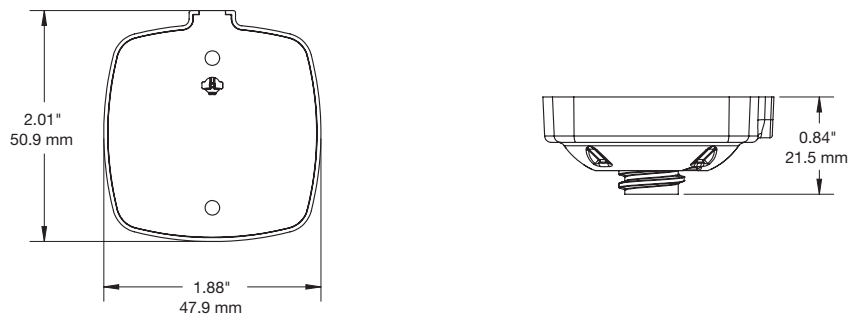
Series 1060

SPECIFICATIONS

Series 1060 Display-Only Stand (DRD102-W):



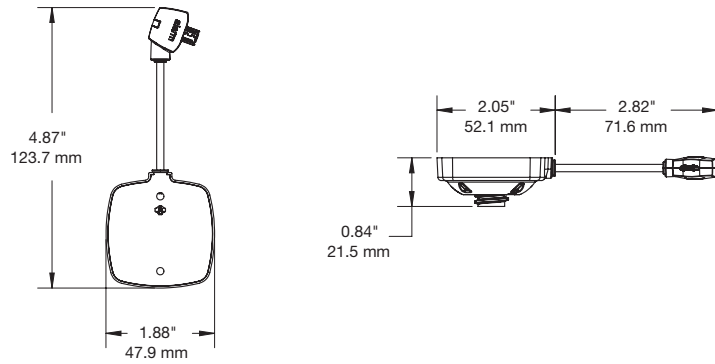
Series 1060 Display-Only Sensor (DRD200-W):



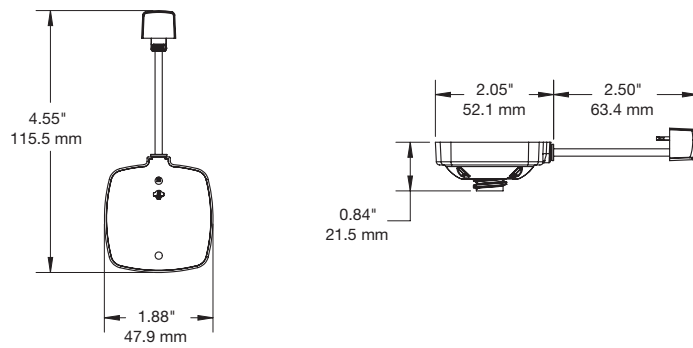
Series 1060

SPECIFICATIONS

Series 1060 Micro USB Handheld Sensor (DRH200-W):



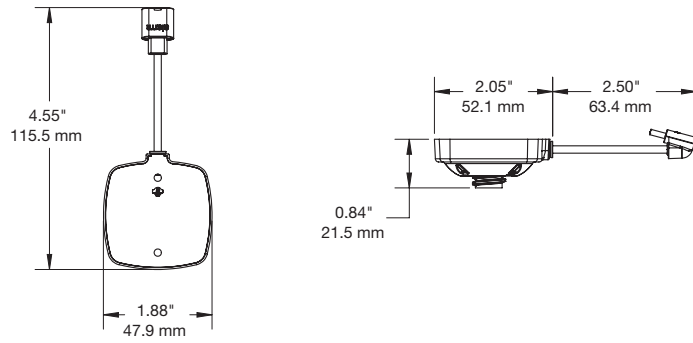
Series 1060 Apple Lightning Handheld Sensor (DRH201-W):



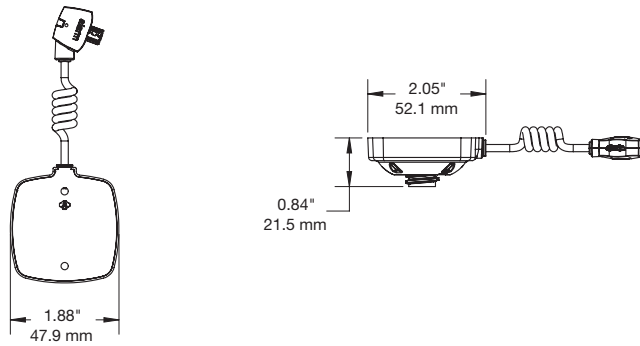
Series 1060

SPECIFICATIONS

Series 1060 USB Type C Handheld Sensor (DRH202-W):



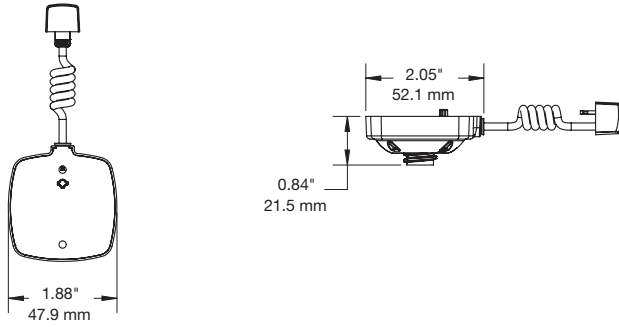
Series 1060 Tablet Micro USB Sensor (DRT200-W):



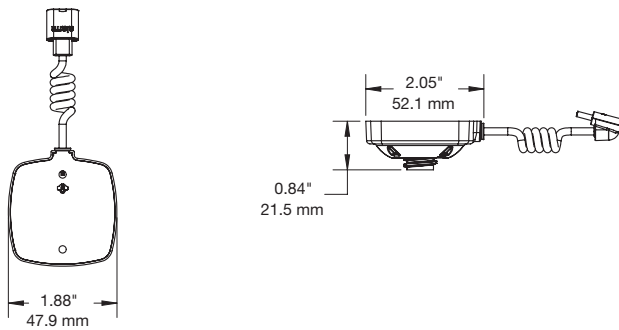
Series 1060

SPECIFICATIONS

Series 1060 Tablet Apple Lightning Sensor (DRT201-W):



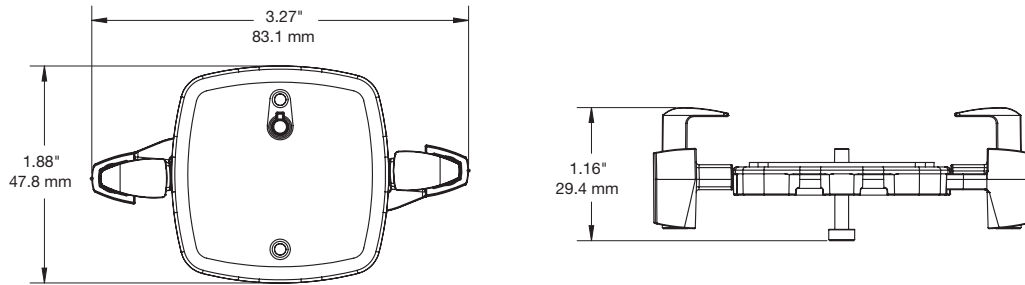
Series 1060 Tablet USB Type C Sensor (DRT202-W):



Series 1060

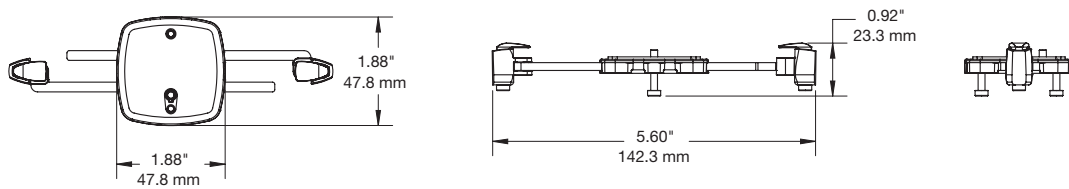
SPECIFICATIONS

Series 1060 Handheld Arm Bracket and Mounting Plate (DRH203):



Series 1060 Tablet Arm Bracket and Mounting Plate (DRT203):

(For mounting tablets in a portrait orientation only.)

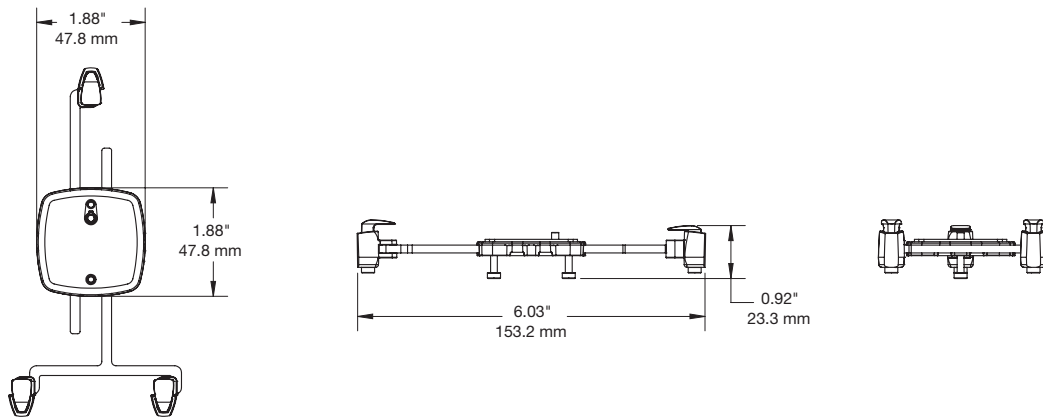


Series 1060

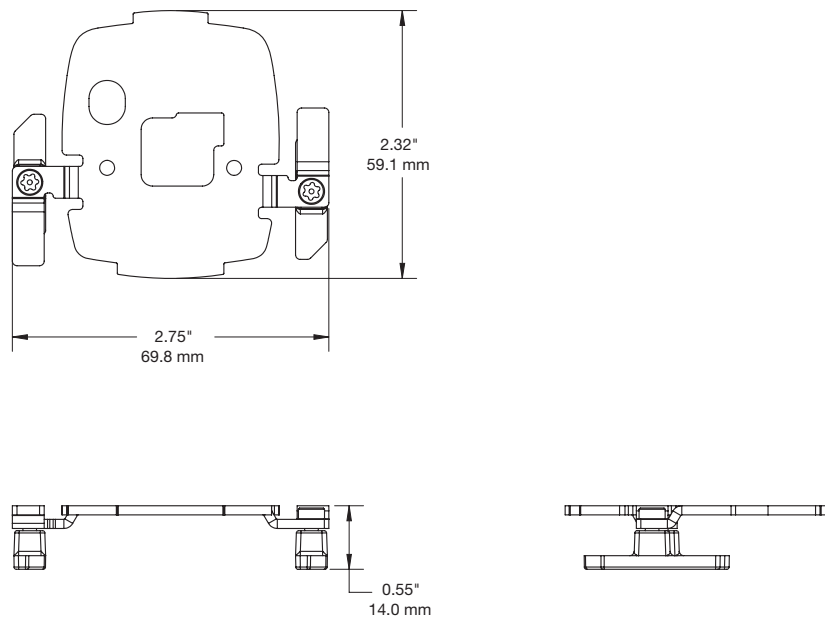
SPECIFICATIONS

Series 1060 Tablet Viper Arm Bracket and Mounting Plate (DRT204):

(For mounting tablets in a landscape orientation only.)



Series 1060 Slot Mount Kit (DRD400):



Series 1060

PRODUCT ORDERING

ORDER CODE	DESCRIPTION	CARTON QTY.
DRD100-W	Series 1060 Flat Stand	32
DRD101-W	Series 1060 Angled Stand	32
DRD102-W	Series 1060 Display Only Stand	32
DRD200-W	Series 1060 Display Only Sensor	32
DRH200-W	Series 1060 Micro USB Handheld Sensor	32
DRH201-W	Series 1060 Apple Lightning Handheld Sensor	32
DRH202-W	Series 1060 USB Type C Handheld Sensor	32
DRT200-W	Series 1060 Tablet Micro-USB Sensor	32
DRT201-W	Series 1060 Tablet Apple Lightning Sensor	32
DRT202-W	Series 1060 Tablet USB Type C Sensor	32
BRACKETS, ACCESSORIES & REPLACEMENT PARTS		
DRH203	Series 1060 Handheld Arm Bracket and Mounting Plate	48
DRT203	Series 1060 Tablet Arm Bracket and Mounting Plate	48
DRT204	Series 1060 Tablet Viper Arm Bracket and Mounting Plate	48
DRD400	Series 1060 Slot Mount Accessory	48
DRD402	Digital Signage Trigger/Adapter/CCTV Cable	48
ADH2082	Series 1060 Stand Adhesive, 8 Pack	8
ADH2083	Series 1060 Sensor Adhesive, 8 Pack	8
AF6313	Multi Tool (use with DRG400 to remove sensor)	25
DRG400	Series 1060 Removal Adapter	20
POWER SUPPLIES		
PS530-US	5V, 3A (5-pin) Power Supply - US	32
PS530-UK	5V, 3A (5-pin) Power Supply - UK	
PS530-EU	5V, 3A (5-pin) Power Supply - EU	
PS530-JPN	5V, 3A (5-pin) Power Supply - JPN	

invue.com

©2016 InVue Security Products. No endorsement of InVue products has been made by any of the manufacturers of the products shown. Product is sold pursuant to InVue's warranty which can be found at www.invue.com/warranty.

Available from:



847-972-6540 • 866-416-0999
info@AmTheft.com
www.AmericanTheftPrevention.com

INVUE

rev. 05/04/16