

You can install faster than it took you to read this!



Completely self contained security. No key, no tools and no programming necessary.

Economically protects a wide range of products... anywhere in your store.

Available From:

**American Theft Prevention
Products, Inc.**

you can do something about shoplifting!

847-972-6540 • 866-416-0999
info@AmTheft.com

www.AmericanTheftPrevention.com

Installs in less than 30 seconds!

FEATURES AND BENEFITS

- 1 Innovative alarm unit available with two sensor types
- 2 LED shows product is secure — no guessing
- 3 Protects numerous types of merchandise using either a small plunger or a noose sensor
- 4 Flex adhesive for micro plunger allows you to protect curved devices
- 5 Lower cost of ownership — no keys required, high quality cord, and minimal time to install and re-merchandise
- 6 Easy re-merchandising and fewer false alarms using high quality 3M adhesives



Available From:

**American Theft Prevention
Products, Inc.**

you can do something about shoplifting!

847-972-6540 • 866-416-0999
info@AmTheft.com

www.AmericanTheftPrevention.com

Zips Basic

DETAILS

Installation:

Zips Basic will be armed within five seconds of installation after all plungers are depressed. An audible chirp and a single LED flash will indicate the unit is armed.

Security:

The LED on the Zips Basic will flash approximately every eight seconds — that is your indication the merchandise is protected.

During a Zips Basic alarm event:

- › Alarm will last for 60 seconds and then time out
- › The unit will automatically re-arm when all plungers are depressed

Re-merchandising:

1. Remove Zips Basic from merchandise
2. Re-install on the new merchandise using replacement adhesives noted above (the alarm will timeout and re-arm).

Life expectancy:

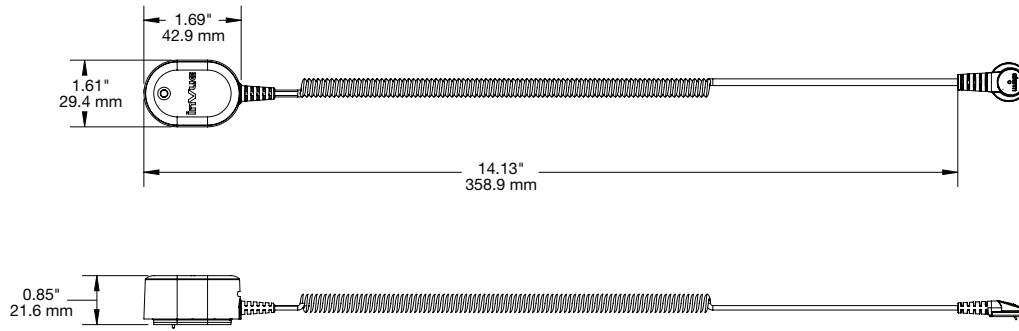
The Zips Basic contains a non-replaceable battery that under normal usage is estimated at more than a year of protection. Normal usage is less than four alarms or re-merchandising events per month. When the unit is near end of life, the LED will flash and the alarm unit will chirp every six seconds. The battery will be fully depleted within about a week from this, and the Zips Basic unit will need to be replaced.



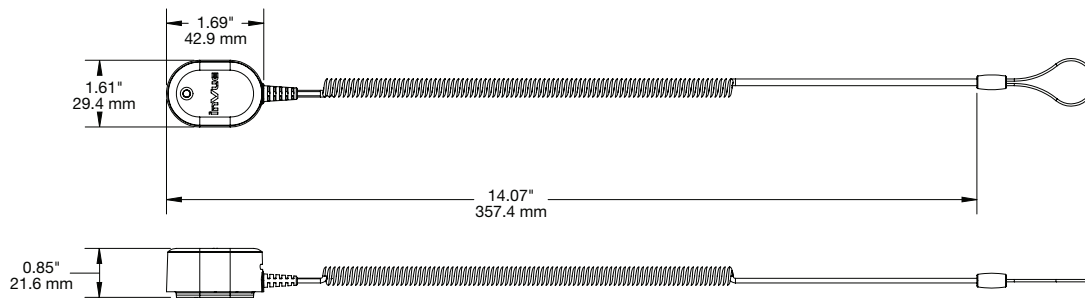
Zips Basic

SPECIFICATIONS

Zips Basic Micro Plunger (ZA3000-B):



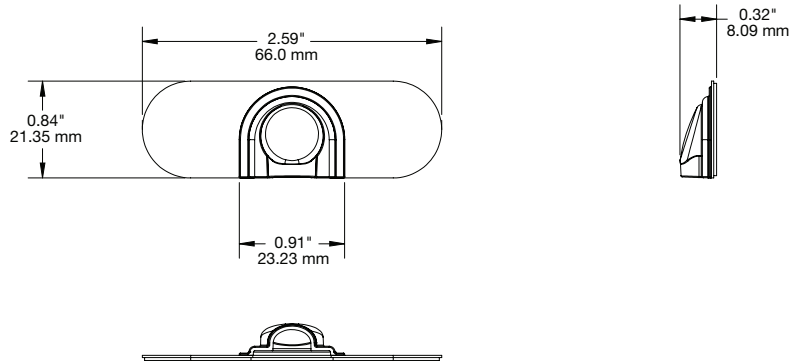
Zips Basic Noose Sensor (ZA3002-B):



Zips Basic

SPECIFICATIONS

Zips Basic Micro Plunger Flex Adhesive (ZA3400-B):



PRODUCT ORDERING

ORDER CODE	DESCRIPTION	CARTON QTY.
ZA3000-B	Zips Basic Micro Plunger - Black	20
ZA3002-B	Zips Basic Noose Sensor - Black	20
ZA3400-B	Zips Basic Micro Plunger Flex Adhesive - Black	32
ADH2092	Zips Basic Alarm Unit Replacement Adhesive, 12 Pack	20
ADH2093	Zips Basic / Zips 2.0 Micro Plunger Replacement Adhesive, 12 Pack	20

invue.com

©2016 InVue Security Products. No endorsement of InVue products has been made by any of the manufacturers of the products shown. Product is sold pursuant to InVue's warranty which can be found at www.invue.com/warranty.

THE AMERICAS 704.752.6513 • 888.55.INVUE
EUROPE, MIDDLE EAST & AFRICA +31.23.8900150
ASIA PACIFIC +852.3127.6811

Available From:

**American Theft Prevention
Products, Inc.**

you can do something about shoplifting!

847-972-6540 • 866-416-0999
 info@AmTheft.com
www.AmericanTheftPrevention.com rev. 09/29/16

INVUE

